

# Butterfly Damper Valve

*Gas Control solution*



*Li Jin Dampers with Oval Disc Design win patent in Taiwan, U.S.A.,China, Japan!!!*



## **APPLICATION :**

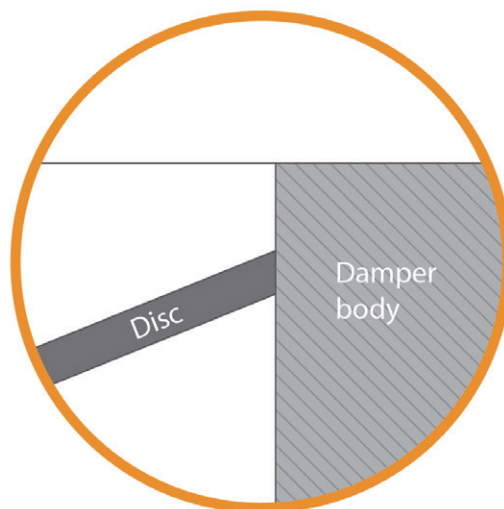
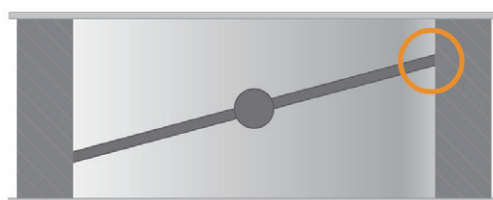
1. RTO,VOC and pollution management
2. Dust collectors
3. Aeration tank control in waste water treatment
4. Hot air dryer: e.g. fluid bed dryer of pharmaceutical machine
5. heat recovery system
6. Waste-to-energy system

# FEATURES

- A. High Temperature application, work environment up to 1000 °C
- B. Leakage efficiency: Class I (97%~99%)
- C. Material : SUS304, SUS316, and other heat resistant material, PTFE seat are available.
- D. Oval disc special design lead interface closed contact.
- E. Damper can be actuated pneumatically, electrically or manually.
- F. Pivot with thermostable bearing provide long using life.
- G. Connector can be clamp , flange types conform to ISO standard.
- H. Conform to ISO standard, various size from 50mm to 4000mm are available.
- I. Flange size can be manufactured according to various norms.



-SECTION VIEW -



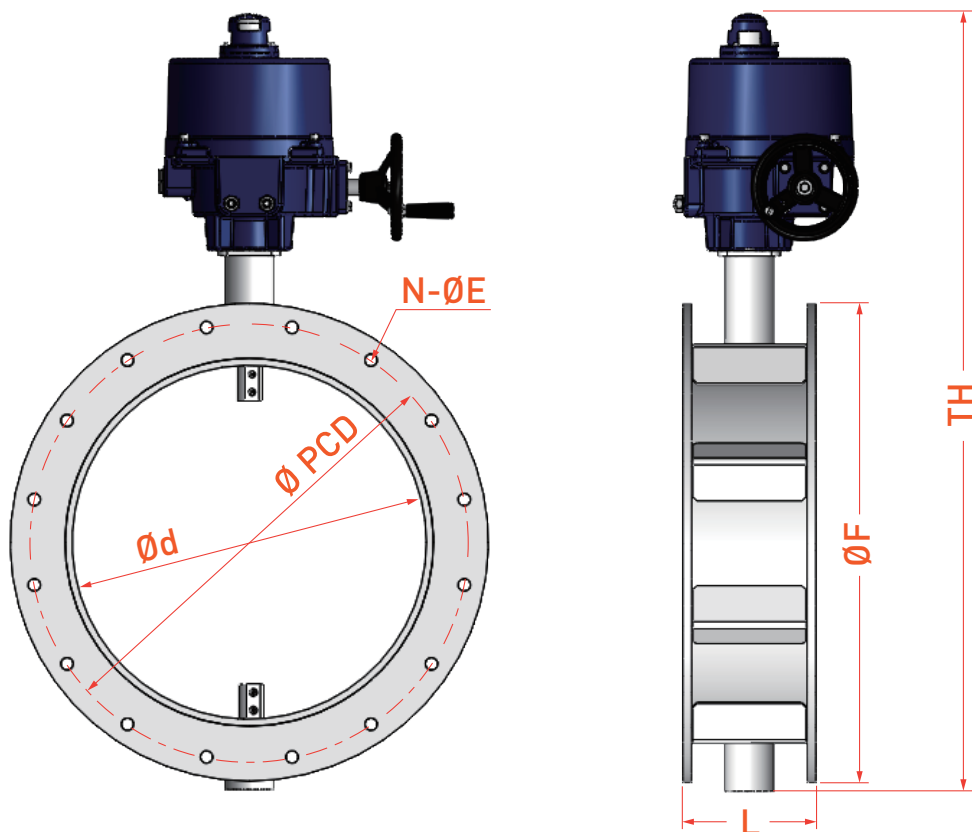
## OVAL DISK DESIGN DETAIL:

FULL METAL OVAL DISK LEAD THE INTERFACE CLOSED CONTACT EVEN LONG TIME USE, THIS DESIGN WON THE NEW TYPE PATENT IN TAIWAN,



**Also provide "three way damper ."**  
**for system like Incinerator.**  
**Customized pipe size, for more information**  
**please contact Li Jin.**

# DIMENSION

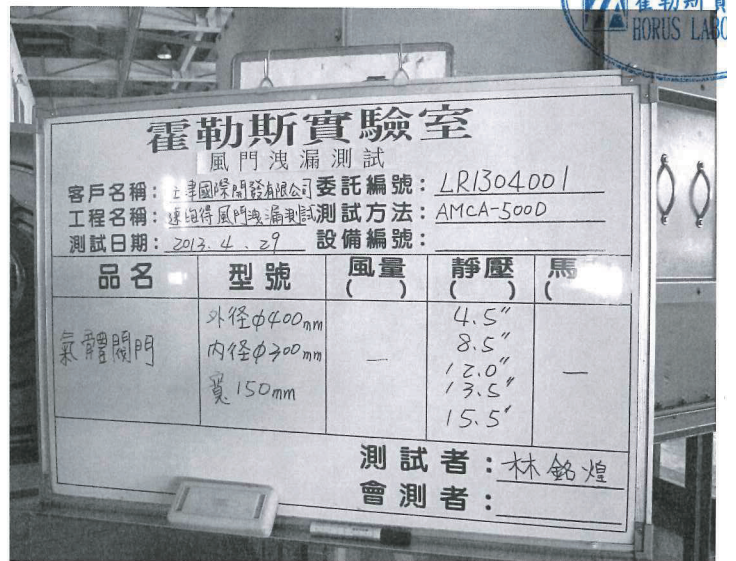
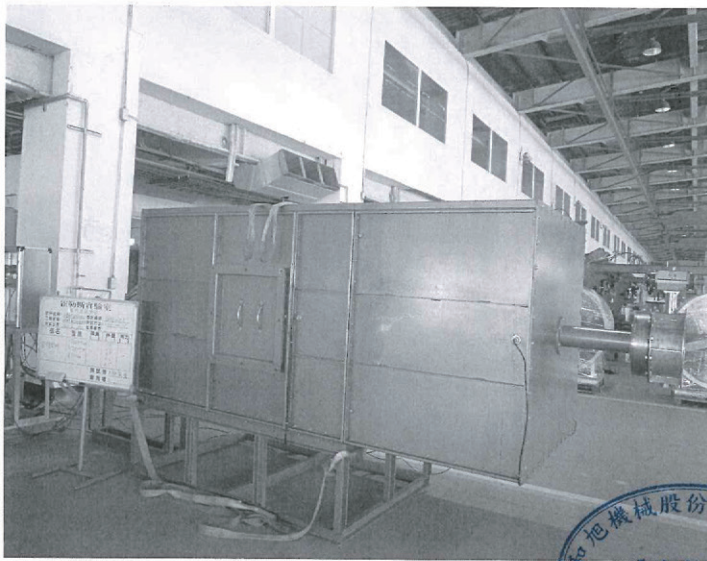


DIMENSION	$\varnothing d$	$\varnothing F$	L(Face to Face)	TH
DP-0050	50	74	60	74
DP-0100	100	128	80	128
DP-0150	150	178	100	178
DP-0200	200	230	120	230
DP-0250	250	280	120	280
DP-0300	300	332	120	332
DP-0350	350	386	120	386
DP-0400	400	438	150	438
DP-0500	500	600	175	600
DP-0600	600	700	175	700
DP-0700	700	800	200	800
DP-0800	800	900	200	900
DP-1000	1000	1100	225	1100
DP-1200	1200	1300	250	1300
DP-1500	1500	1600	300	1600

NOTE: DIMENSION "TH" DEPEND ON THE SIZE OF ACTUATOR AND TEMPERATURE OF WORKING ENVIROMENT  
 NOTE: DIMENSION " $\varnothing PCD$ " ; " $N-\varnothing E$ " DEPEND ON PIPE ON THE SYSTEM

# CERTIFICATION

Test method : ANSI/AMCA 500-D-12 ITEM 6.2 ( Test Figure : fig 5.5 Alternate& fig6.5



Report No : LR1304001-01  
Page : 4/5

### Testing Report of Damper Leakage

Client : LI JIN INDUSTRIAL CO., LTD      Report No: LR1304001-01  
Name of project : SPIDER DAMPER LEAKAGE TEST  
Acted by : ACTUATOR      Date of Testing: 2013/04/29  
Damper Type : AIR CONTROL VALVE      Notes :

**The 1st point.**

Standard condition	Specified Pressure		Amount leakage of damper			Leakage per area		
	in wg	kPa	cfm	L/s	cms	cfm/ft <sup>2</sup>	L/s/m <sup>2</sup>	cms/m <sup>2</sup>
System	4.50	1.12	0.00	0.00	0.0000	0.00	0.00	0.0000
System plus Damper	4.50	1.12	0.00	0.00	0.0000	0.00	0.00	0.0000
Damper	4.50	1.12	0.00	0.00	0.0000	0.00	0.00	0.0000

**The 2nd point.**

Standard condition	Specified Pressure		Amount leakage of damper			Leakage per area		
	in wg	kPa	cfm	L/s	cms	cfm/ft <sup>2</sup>	L/s/m <sup>2</sup>	cms/m <sup>2</sup>
System	8.50	2.12	0.00	0.00	0.0000	0.00	0.00	0.0000
System plus Damper	8.50	2.12	0.44	0.21	0.0002	0.57	2.91	0.0029
Damper	8.50	2.12	0.44	0.21	0.0002	0.57	2.91	0.0029

**The 3rd point.**

Standard condition	Specified Pressure		Amount leakage of damper			Leakage per area		
	in wg	kPa	cfm	L/s	cms	cfm/ft <sup>2</sup>	L/s/m <sup>2</sup>	cms/m <sup>2</sup>
System	12.00	2.99	0.00	0.00	0.0000	0.00	0.00	0.0000
System plus Damper	12.00	2.99	0.53	0.25	0.0002	0.69	3.52	0.0035
Damper	12.00	2.99	0.53	0.25	0.0002	0.69	3.52	0.0035

**The 4th point.**

Standard condition	Specified Pressure		Amount leakage of damper			Leakage per area		
	in wg	kPa	cfm	L/s	cms	cfm/ft <sup>2</sup>	L/s/m <sup>2</sup>	cms/m <sup>2</sup>
System	13.50	3.36	0.00	0.00	0.0000	0.00	0.00	0.0000
System plus Damper	13.50	3.36	0.52	0.25	0.0002	0.69	3.49	0.0035
Damper	13.50	3.36	0.52	0.25	0.0002	0.69	3.49	0.0035

**The 5th point.**

Standard condition	Specified Pressure		Amount leakage of damper			Leakage per area		
	in wg	kPa	cfm	L/s	cms	cfm/ft <sup>2</sup>	L/s/m <sup>2</sup>	cms/m <sup>2</sup>
System	15.50	3.86	0.00	0.00	0.0000	0.00	0.00	0.0000
System plus Damper	15.50	3.86	0.52	0.25	0.0002	0.69	3.50	0.0035
Damper	15.50	3.86	0.52	0.25	0.0002	0.69	3.50	0.0035

**立建機械股份有限公司**  
**HORUS LABORATORY**

Report No : LR1304001-01  
Page : 1/5

### Testing Report of Damper Leakage

1474  
Test No. : LR1304001      Submit Date : 2013/04/29  
Applicant : LI JIN INDUSTRIAL CO., LTD      Address : NO.43-1, ZHONGSHA ROAD, LONGJING DIST, TAICHUNG CITY, 43441 TAIWAN ROC  
Tel : (04)24636566      Fax : (04)27066489  
Contact Person : CHEN YUAN-LAI      Witness : CHEN YUAN-LAI

Test Lab. : Horus Laboratory  
Address : No.40,Ln. 166,Sec. 1,Minsheng N. Rd.,Gueishan Township,  
Tel : (03)3560884  
Fax : (03)3586657

Name of project : SPIDER DAMPER LEAKAGE TEST  
Damper Type :  Duct-Mounted Damper.  Flange-Mounted Damper.  Curtain-Mounted Damper.

Mounting Position :  Perpendicular  Horizontal  Other \_\_\_\_\_  
Blade Action :  Parallel  Opposite direction  Other \_\_\_\_\_  
Blade Orientation :  Perpendicular  Horizontal  Other \_\_\_\_\_  
Flow Direction :  Forward airflow testing  Reversion airflow testing  
Damper Action : ACTUATOR  
Receive Date : 2013/04/29  
Test Date : 2013/04/29  
Test Location : No.320,Sec. 4,Chung-cheng Rd.,Zhong Li City,Taoyuan County 320,Taiwan(R.O.C.)  
Test Personnel : Mike  
Test Method :  ANSI/AMCA 500-D-12 Item 6.2 (Test Figure: fig 5.5 Alternate & fig 6.5)

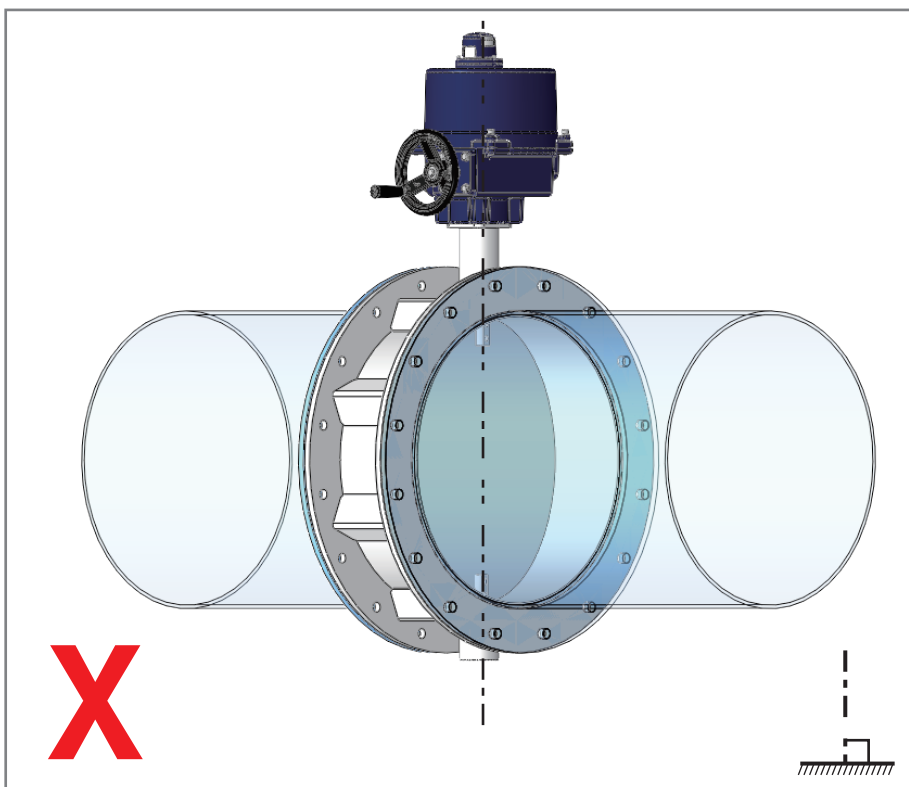
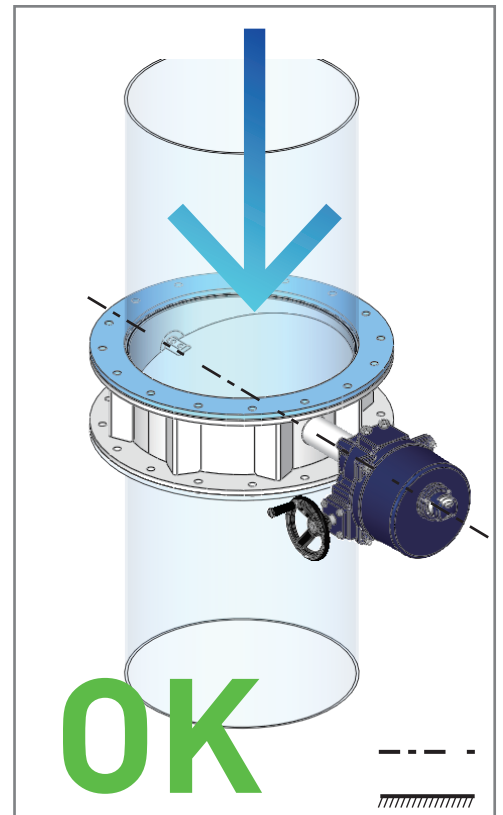
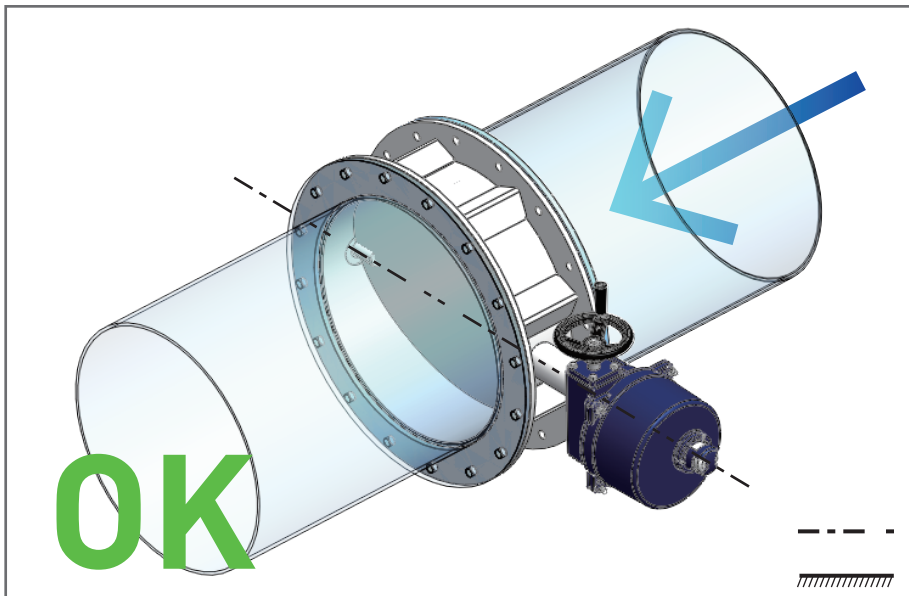
Declare : 1. The test results shown in this report is only valid to the test specimen.  
2. This report consists of 5 pages included the cover page. This report is not allowed to be partially reproduced unless full copy. This report is also not allowed to be counterfeited, altered and partially extracted without the agreement of the laboratory.  
3. This report used in commercial advertisement or litigation is forbidden.  
4. Client is not allowed to use either company or laboratory name of [Horus Air Moving Co.,Ltd / Horus Laboratory] in Chinese or English in any advertisement, leaflet or products announce.  
5. Client is authorized to use : The performance of this report is tested by Horus Laboratory of Horus Air Moving Co.,Ltd in accordance with the above described method. .

**立建機械股份有限公司**  
**HORUS LABORATORY**

Approval Signatory :

# PRECAUTIONS

- \*MAKE SURE DAMPER STEM AXIS REMAIN HORIZONTAL WHEN INSTALL DAMPER TO SYSTEM.
- \*MAKE SURE PIPE INNER SIZE IS BIGGER THAN DAMPER INNER SIZE .



*For more detail information, please do not hesitate to contact us !*

 **LI JIN INDUSTRIAL CO.,LTD**

E-mail: [li.jin8@msa.hinet.net](mailto:li.jin8@msa.hinet.net)  
[www.lijin-flowcontrol.com](http://www.lijin-flowcontrol.com)

Phone: +886-4-2359-3997  
Fax : +886-4-2359-6123

