



KNIFE GATE VALVE

AG series - Airtight Knife Gate Valve

Features:

- Fully enclosed design can avoid leakage.
- The anti-accumulation and anti-static design for the inlet and outlet of the valve body.
- Can be actuated by manual, pneumatic or spring return.

Applications:

- Usually used for conveying powder and liquid without pressure.

The Standard:

- Pressure range: $\leq 4\text{kg/cm}^2$
- Temperature range: $0^{\circ}\text{C} \sim 210^{\circ}\text{C}$
- Body and trim materials:
 - Stainless steel
 - Carbon steel
 - Wear-resistant special material
- Actuators: Cylinder, Crank manual, Cylindrical cam manual or Spring return.



K series - Knife Gate Valve

The Normal Open, Sealed and Slurry types can be selected.

Applications:

- Used in bucket discharge mouth, powder, granular air conveying system, as a switch.

The Standard:

- Pressure range: $< 2.8\text{kg/cm}^2$
- Temperature range: $0^{\circ}\text{C} \sim 210^{\circ}\text{C}$
- Body and trim materials:
 - Stainless steel
 - Carbon steel
 - Wear-resistant special material
- Actuators: Cylinder, manual or Spring return.



For special materials or designs, please contact Li Jin.

Dimension

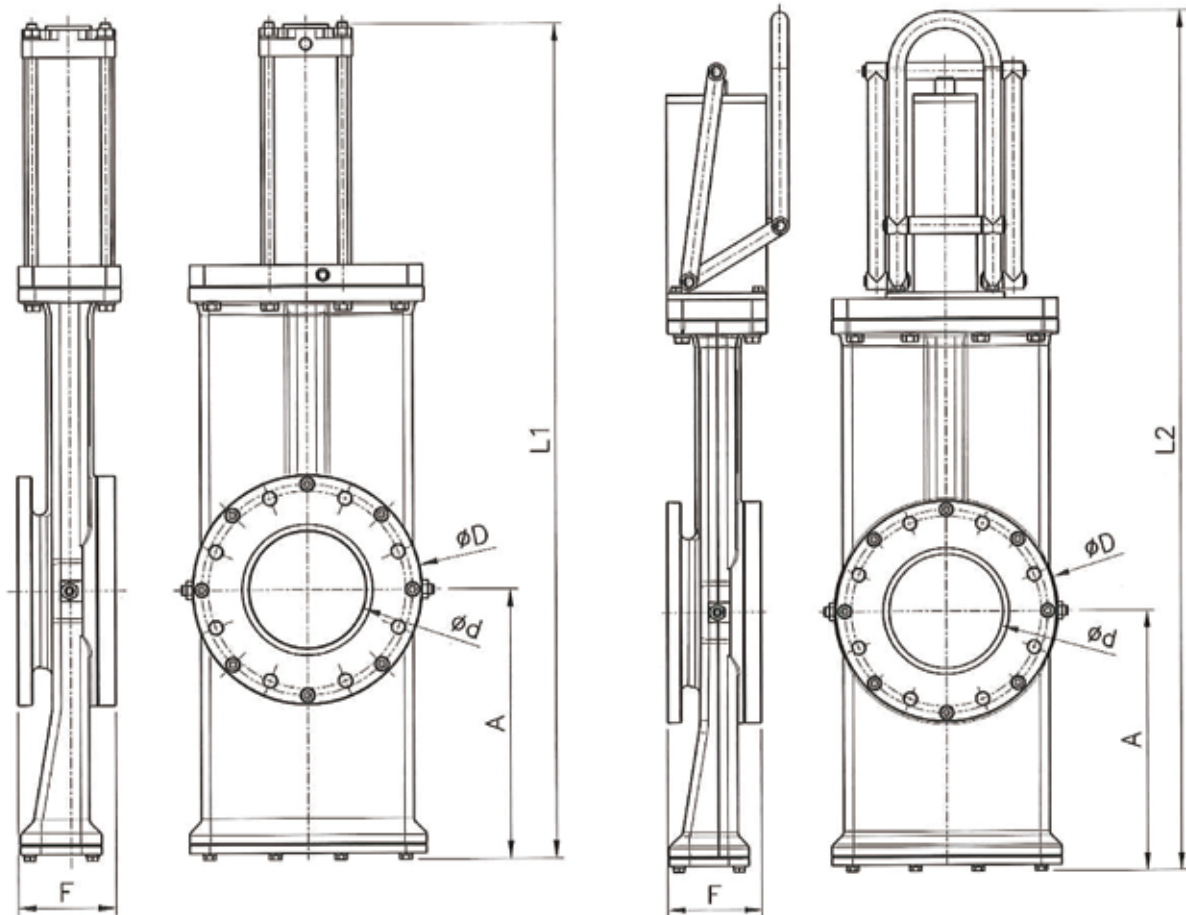
AG series - Airtight Knife Gate Valve

AGP

Actuated by pneumatic

AGM

Actuated by manual



Dimensions are indicative only. All dimensions are in millimeters.

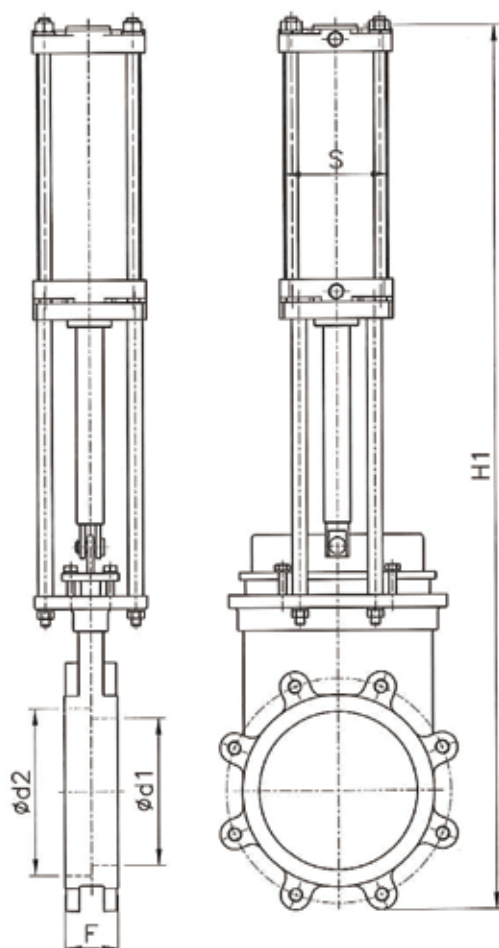
	Size	d	D	A	F	L1	L2	
	DN100	4"	110	229	248	120	760	780
	DN125	5"	135	254	296	120	885	890
	DN150	6"	160	279	324	120	1000	1010
	DN200	8"	210	343	414	150	1195	1205
	DN250	10"	262	406	490	150	1400	1410
	DN300	12"	312	483	564	150	1585	1610
	DN350	14"	345	533	615	180	1750	1760
	DN400	16"	396	597	700	180	1975	2000
	DN500	20"	497	699	858	200	2440	2520

Dimension

KV series - Knife Gate Valve

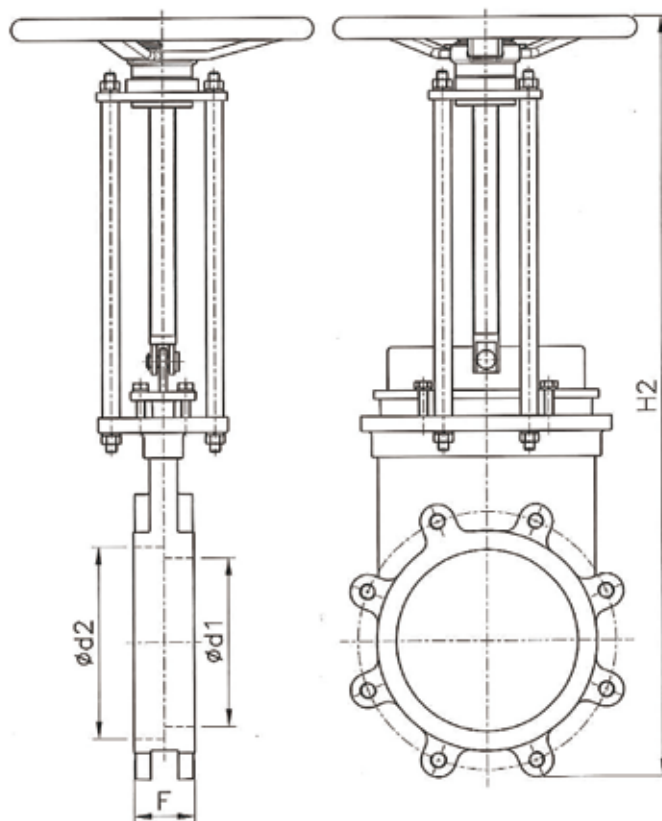
KVP

Actuated by pneumatic



KVM

Actuated by manual

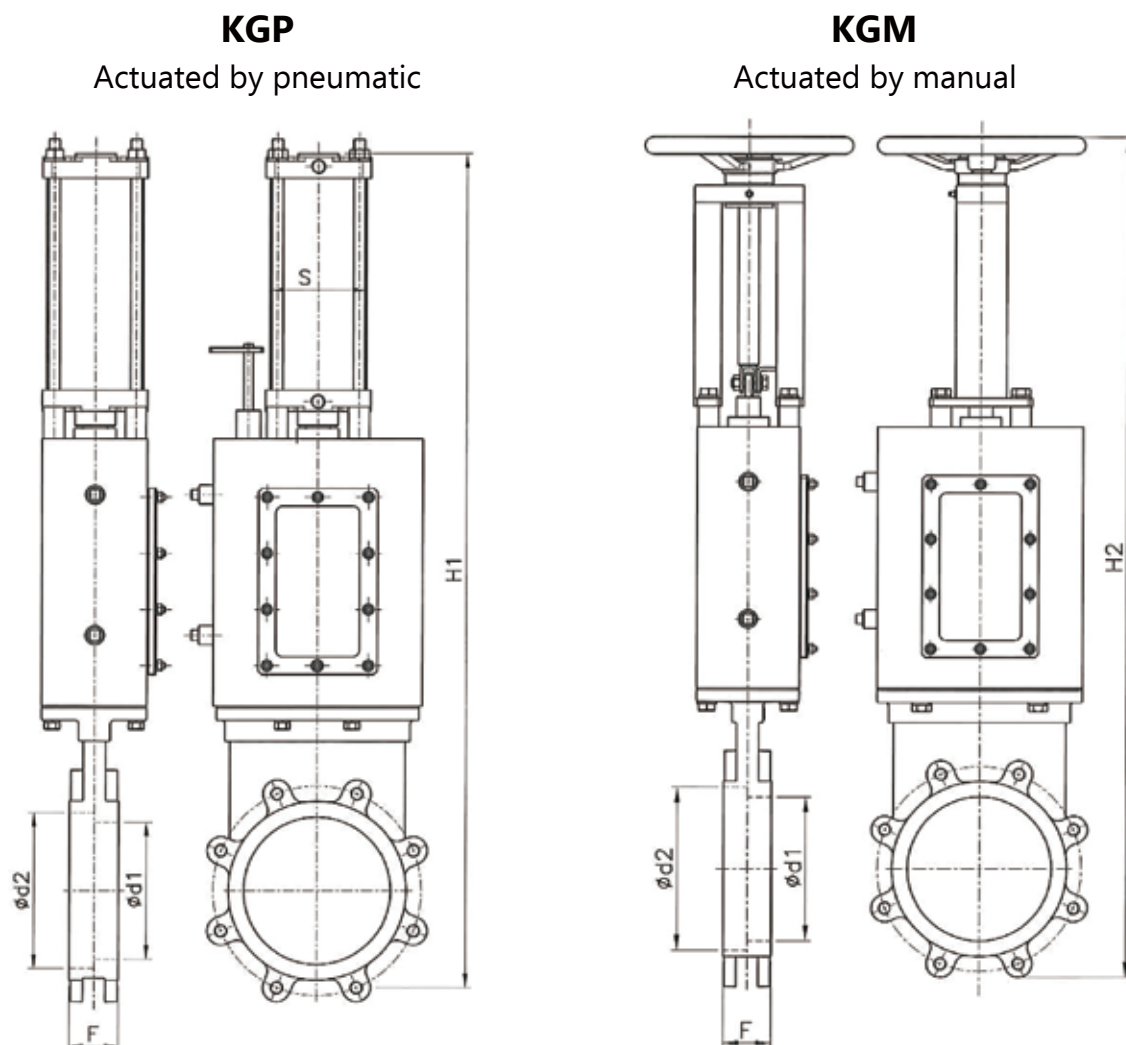


Dimensions are indicative only. All dimensions are in millimeters.

	Size	d1	d2	F	S	H1	H2	
	DN050	2"	42	64	48	80	520	420
	DN065	2-1/2"	57	80	51	80	570	430
	DN080	3"	72	95	51	125	680	430
	DN100	4"	97	122	51	125	750	500
	DN125	5"	125	148	57	150	870	700
	DN150	6"	144	166	62	150	890	700
	DN200	8"	195	222	70	180	1180	880
	DN250	10"	245	272	70	200	1500	1100
	DN300	12"	300	325	76	224	1600	1150
	DN350	14"	350	375	76	300	1860	1230
	DN400	16"	400	430	89	300	2070	1420
	DN500	20"	480	515	114	350	2400	1700

Dimension

KG series - Sealed Knife Gate Valve



Dimensions are indicative only. All dimensions are in millimeters.

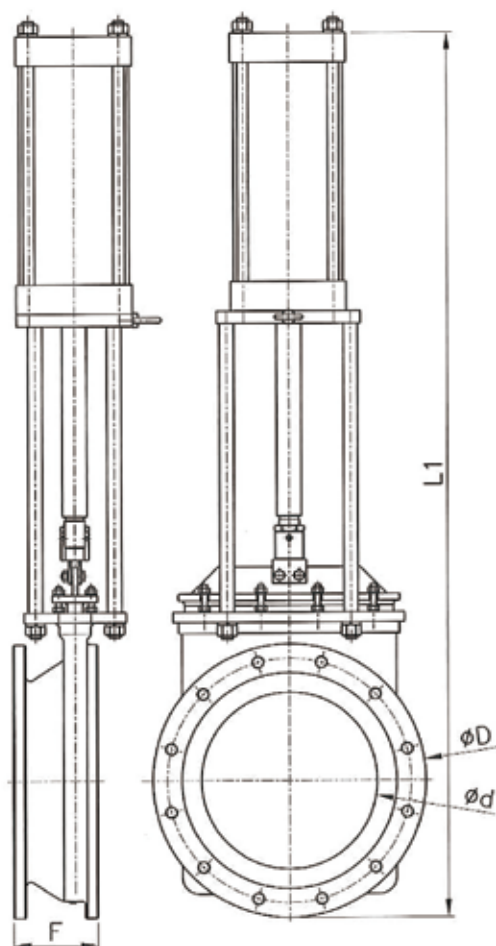
	Size	d1	d2	F	S	H1	H2	
	DN050	2"	42	64	48	80	520	590
	DN065	2-1/2"	57	80	51	80	570	720
	DN080	3"	72	95	51	125	680	875
	DN100	4"	97	122	51	125	750	935
	DN125	5"	125	148	57	150	870	1010
	DN150	6"	144	166	62	150	890	1100
	DN200	8"	195	222	70	180	1180	1320
	DN250	10"	245	272	70	200	1400	1425
	DN300	12"	300	325	76	224	1600	1695
	DN350	14"	350	375	76	300	1860	1990
	DN400	16"	400	430	89	300	2070	2180
	DN500	20"	480	515	114	350	2400	2550

Dimension

KS series - Slurry Knife Gate Valve

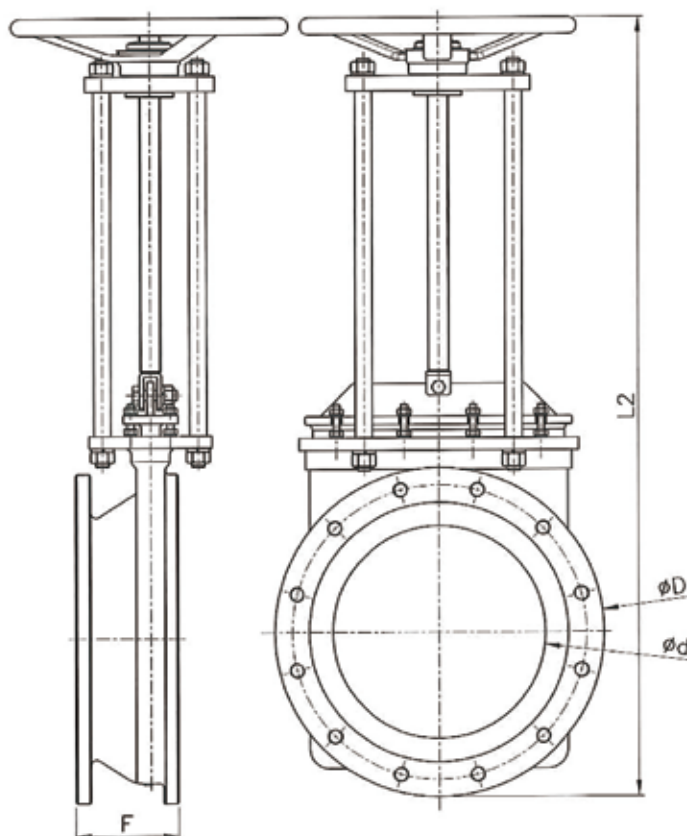
KSP

Actuated by pneumatic



KSM

Actuated by manual



Dimensions are indicative only. All dimensions are in millimeters.

Size	d	D	F	L1	L2	
DN150	6"	160	279	120	1020	690
DN200	8"	210	343	150	1190	850
DN250	10"	262	406	150	1400	1070
DN300	12"	312	483	150	1620	1110
DN350	14"	345	533	180	1915	1200
DN400	16"	396	597	180	2100	1410

KNIFE GATE VALVE

Product specifications

Type	Actuator	Size (DN)	Flange drilling	Body material	Buffing type
AG = airtight	P = Pneumatic	50 - only for K series	1 = ANSI150	13 = SCS13	A = N/A
KV = normal open	M = manual	65 - only for K series	2 = JIS10K	14 = SCS14	B = 200#
KG = sealed		80	3 = JIS 5K	15 { other for AG series FCD for K series	C = 250#
KS = slurry		100	4 = DIN		D = 300#
		125	PN10		
		150			
		200	5 = other		
		250			
		300			
		350			
		400			
		500			



立津國際開發有限公司
LI JIN INDUSTRIAL CO LTD

No. 43-1, Zhongsha Rd., Longjing Dist.,
Taichung City 43441, Taiwan

P. +886-4-23593997

F. +886-4-23596123

li.jin8@msa.hinet.net

www.lijin-flowcontrol.com



L J-VLGT2021V2